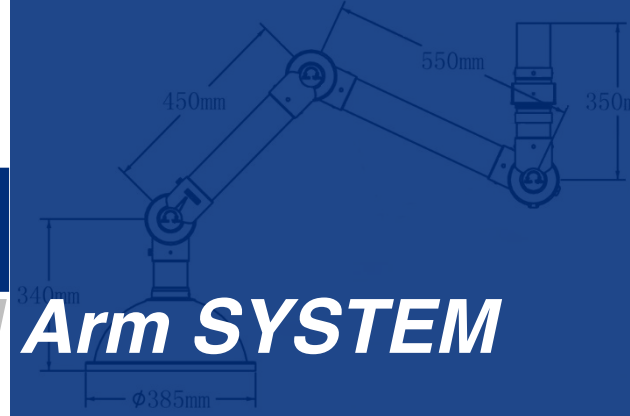


# LEVTECH

*EXTRACTION Arm SYSTEM*



***LEAS series***

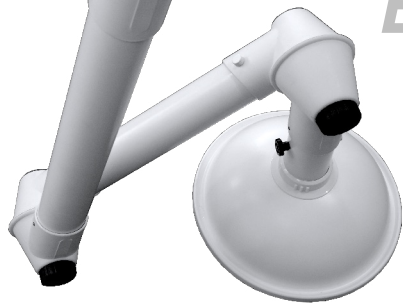
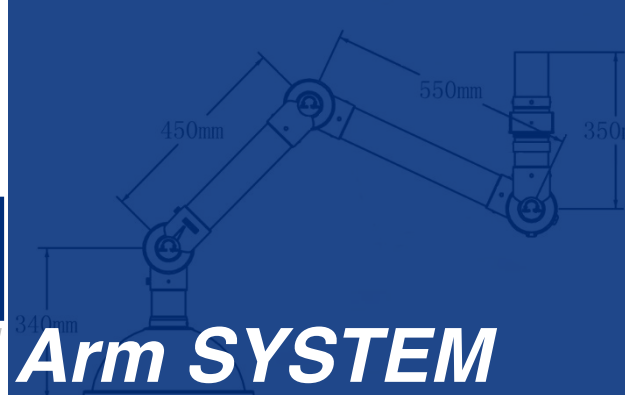
*Extraction Arm System*



***www.levtechsb.com***

# LEVTECH

## EXTRACTION Arm SYSTEM



### Introduction

The Chemical resistant extraction arms are for the use in aggressive working environments with special demands to chemical resistance as a result for the work of removing.

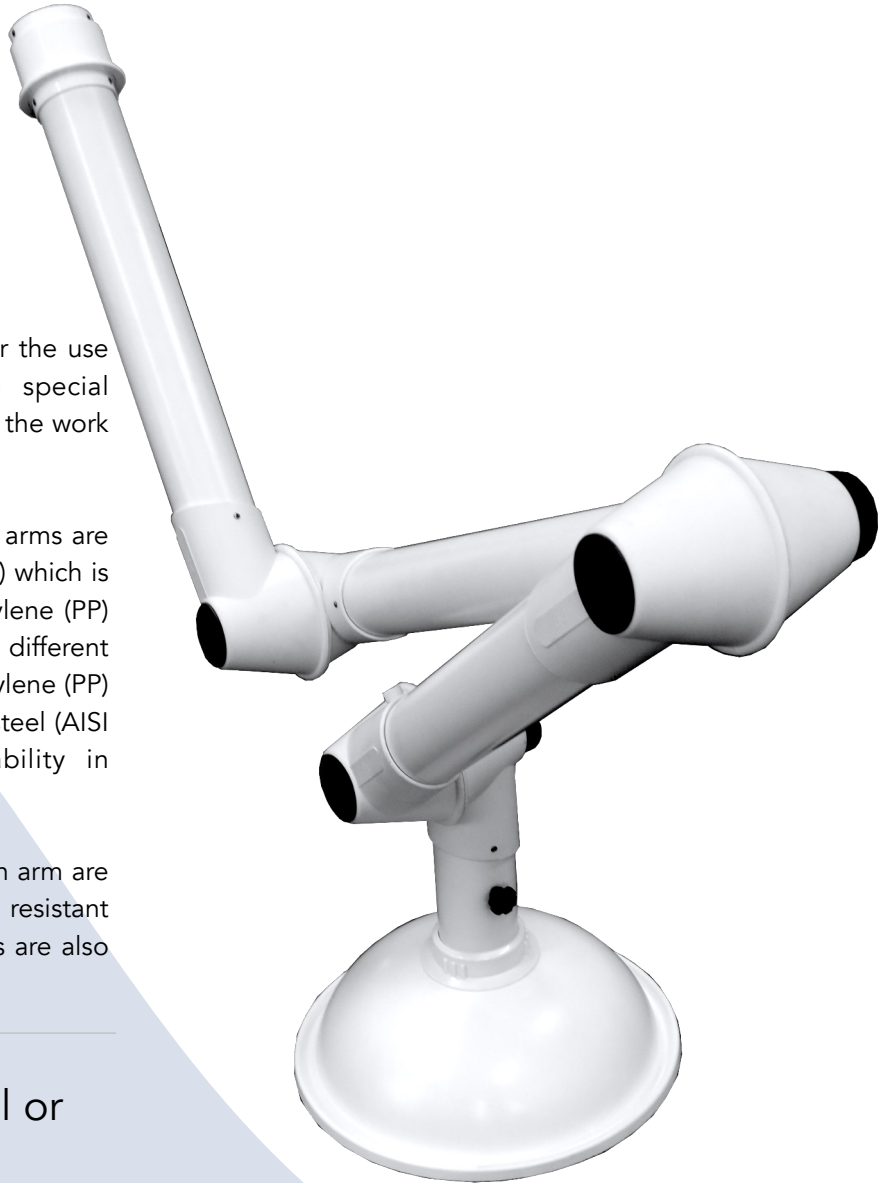
The pipes of the chemical resistant extraction arms are made of white shatterproof polypropylene (PP) which is the same material as for the joints. Polypropylene (PP) is a very resistant plastic resistant to many different aggressive chemicals. The pipes are polypropylene (PP) and the inner part are of acid-proof stainless steel (AISI 316L) providing this material long durability in aggressive working environments.

The hoods for the chemical resistant extraction arm are with a sub pipe also made of chemical resistant polypropylene (PP). The material of the hoods are also polypropylene (PP).

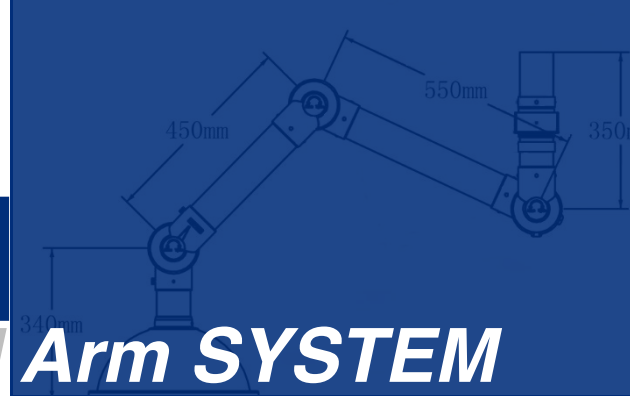
### Design - for mounting on wall or ceiling

- Working range 760 - 1500 mm
- Recommended air flow 200 - 300 cfm
- Diameter of tube  $\varnothing$ 90mm
- Joints with one-hand-operation
- Color of joint, white
- All O-ring maintenance free
- Integrated valve
- All threaded stays, spring and thumbscrews made of acid-proof stainless steel (AISI 316L)
- All rivets made of chemical resistant polypropylene (PP) for increased durability in aggressive environments

[www.levtechsb.com](http://www.levtechsb.com)



**EXTRACTION  
ARM SYSTEM**

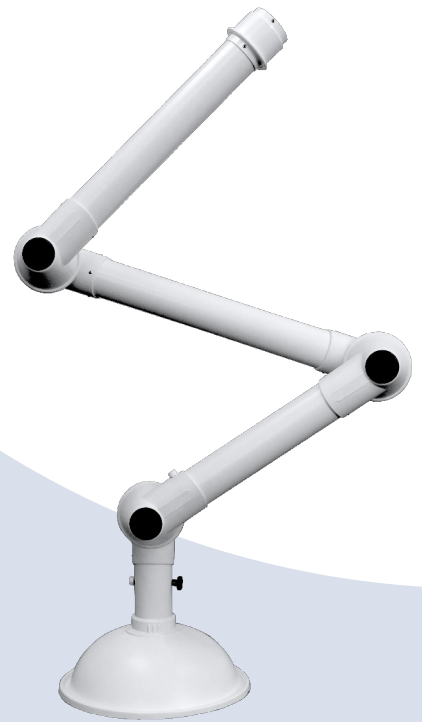
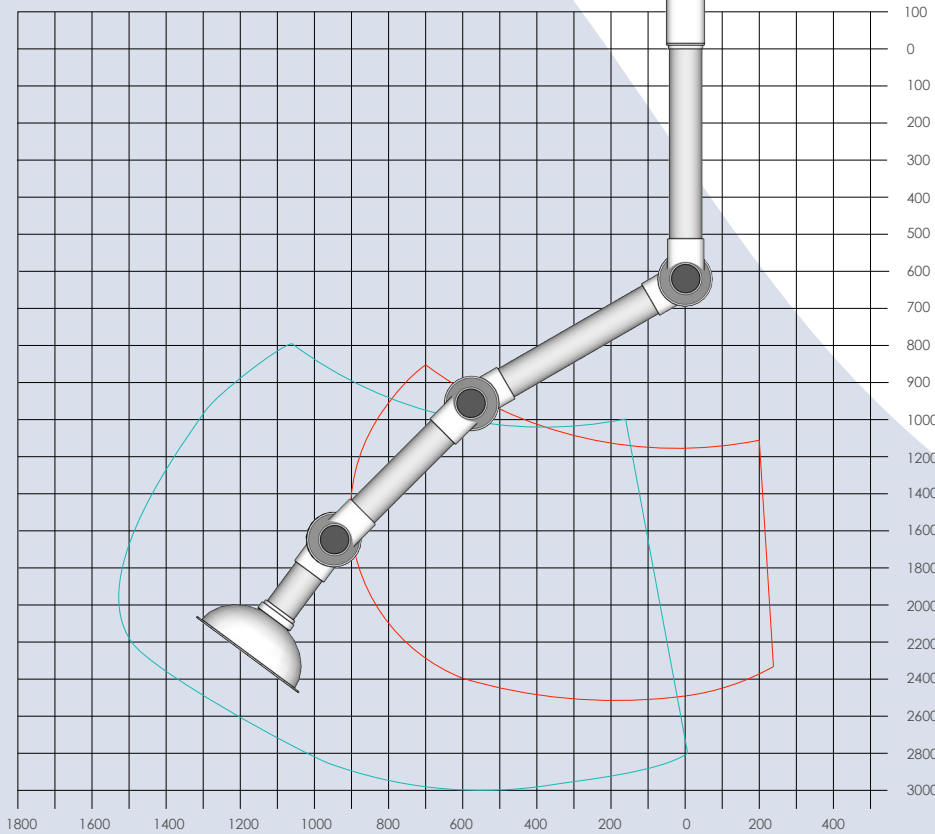
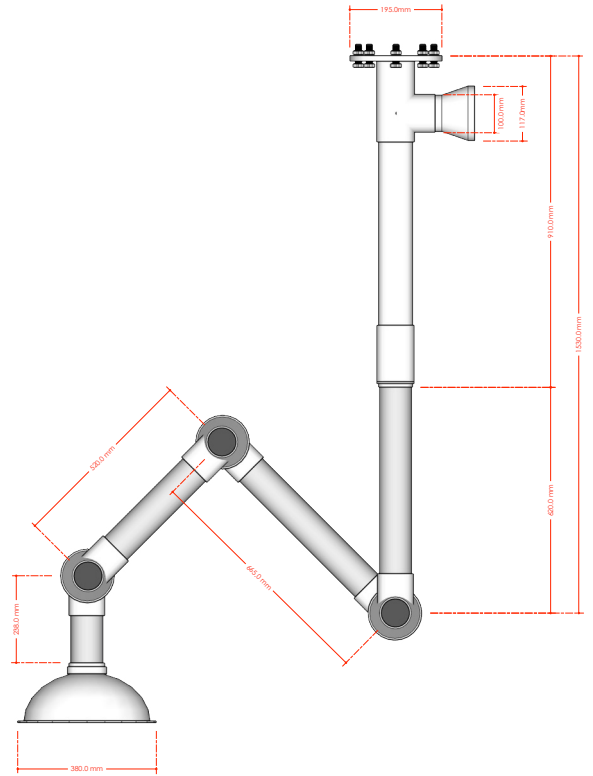


# LEVTECH

## EXTRACTION Arm SYSTEM

### Working Area

We do not recommend a stationary working position is upper or lower working area ( All unit in mm )

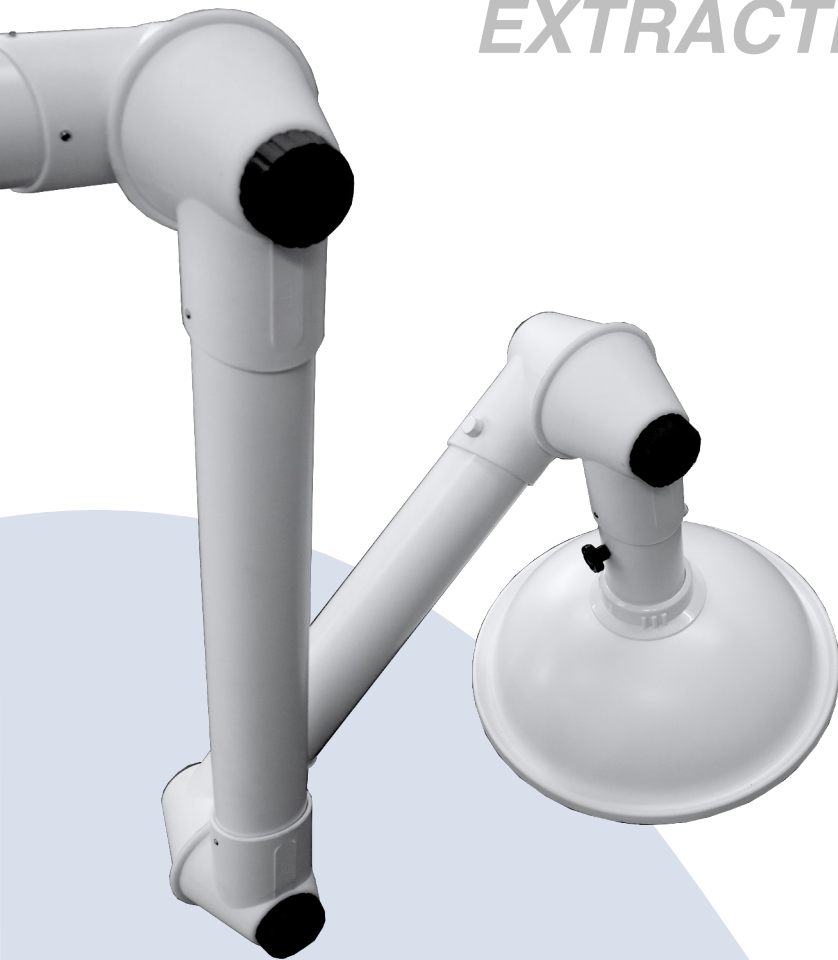


[www.levtechsb.com](http://www.levtechsb.com)

**EXTRACTION  
ARM SYSTEM**

# LEVTECH

EXTRACTION **Arm SYSTEM**



## Other Product & Services Available

### **LEVTECH SDN. BHD.** (760493-M)

No. 71-G, Jalan Pusat Komersial Saujana 3,,  
Pusat Komersial Saujana Seremban 2 Heights,,  
70300 Seremban,  
N. Sembilan, Malaysia.  
Tel Office : 06 - 775 1011  
Sales : 011 - 1123 0958  
Email : sales@levtechsb.com  
Mohamad Fikri B. Mohamad Ariff (H/p : 017 - 660 3151)  
www.levtechsb.com

**[www.levtechsb.com](http://www.levtechsb.com)**

*Chemical Resistant Centrifugal Fan  
Wash Demist (Fume Scrubber System)  
Chemical Resistant Plumbing System  
Laboratory Furniture System  
Modified Epoxy Polyester Resin Worktop  
Phenolic Resin Worktop  
Laboratory Gas and Water Fittings  
Emergency/Eye Shower System  
Fumecupboard Repair and Maintenance  
Services  
Laboratory Design Consultancy  
Hygiene Industrial II Inspection  
Local Exhaust Ventilation System Inspection*